

Kaiser digiShield

Specifications

	digiShield	digiShield ²
Code #	6073	6074
max. screen size	2.0" (5 cm)	2.5" (6.3 cm)
Interior dimensions (WxH)	39 x 36-55 mm 1.5 x 1.4-2.2 in.	51 x 38-58 mm 2.0 x 1.5-2.3 in.
Outside dimensions (WxH)	52 x 47-67 mm 2.1 x 1.9-2.6 in.	64 x 50-70 mm 2.5 x 2.0-2.8 in.

Kaiser „digiShield“

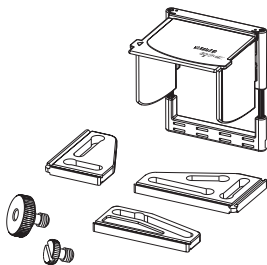
- fits many digital compacts and some digital DSLRs
- an up-to-date camera compatibility list can be found on the Internet at www.kaiser-fototechnik.de

Please note when using the Kaiser „digiShield“:

- your camera must have a tripod thread
- important control buttons must stay accessible
- limited usability on cameras with vari-angle LCD screens

Scope of supply

- glare shield
- three mounting adapters
- flat headed mounting screw
- tripod adapter 1/4"



USA

HP Marketing Corp.
16, Chapin Road
Pine Brook, NJ 07058
Tel (+1) 973-8089010
Fax (+1) 973-8089004
info@hpmarketingcorp.com
www.hpmarketingcorp.com

United Kingdom

Fotolynx Ltd.
Unit 6 B, Park Lane Industrial Estate
Park Lane, Corsham
Wilts, SN13 9LG
Tel (+44) 12-49-715333
Fax (+44) 12-49-714999
info@ccscentre.co.uk
www.fotolynx.co.uk

Kaiser Fototechnik GmbH & Co. KG Im Krötensteich 2 · 74722 Buchen · Germany

Tel.: +49 (0) 62 81- 4 07- 0
Fax: +49 (0) 62 81- 4 07 55
www.kaiser-fototechnik.de
info@kaiser-fototechnik.de

Canada

Nadel Enterprises Inc.
425 Attwell Drive
Rexdale, Ontario
M9W 5C4
Tel (+1) 416-7452622
Fax (+1) 416-7422616
info@nadel.ca
www.nadel.ca

New Zealand

Photo Warehouse Ltd.
175 GT North Rd.
Ponsonby-Auckland
Tel (+64) 9-3032148
Fax (+64) 9-3099721
enquiries@photowarehouse.co.nz
www.photowarehouse.co.nz



Kaiser digiShield

Glare protection for your
digital camera's LCD screen



Right reserved to make technical modifications. Printed in Germany 09037 02.1105.7

- simply mounted to the tripod thread
- fits most digital compacts



Kaiser digiShield



Open the top shield and the side shields will open automatically.

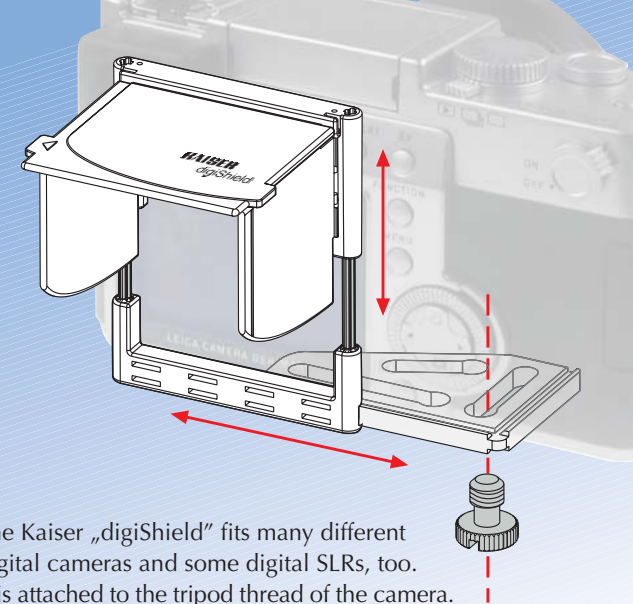


The Kaiser „digiShield“ shields against lateral and angular incidence of light and thus improves considerably the clarity of the image on the LCD monitor of digital cameras. Coil spring supported side flaps keep the glare shield in opened position. Simple mounting to the tripod socket – neither glue nor ugly rubber bands will disfigure the camera body.

„digiShield“ folds down completely and serves to protect the LCD screen.



To close simply fold back the side shields and then fold down the top shield into the locking position.



The Kaiser „digiShield“ fits many different digital cameras and some digital SLRs, too. It is attached to the tripod thread of the camera. Different mounting adapters with guide rails and a height adjustment allow for proper positioning regardless of the position of the tripod thread and the LCD screen on the camera body.



Tripod adapter

A tripod adapter is included in case the camera with the „digiShield“ is mounted to a tripod stand.